




Remote Head PELÉ



User Manual PELÉ

Remote Head PELÉ

			Date of issue : 2018 /06

Position	Thema	Seite
1.	Information about the device	4
1.1	Scope of delivery 2-axis device	4
1.2	Responsibilities of the manufacturer / EC declaration of conformity	5
1.3	Responsibilities of the operator	6
1.4	Exploded drawing with numbering	6
1.5	External interfaces	7
1.6	Legal notice	7
2.	User Manual	8
2.1	This is how you understand the operating instructions correctly	8
2.1.1	Marking on the unit	8
2.1.2	Marking in this user manual	9
2.2	Service address	10
3.0	Safety instructions	10
3.1	General safety instructions manufacturer	10
3.2	General safety instructions usage	11
3.3	General safety Instructions Examination	11
3.4	Intended use of Pelé	11
3.5	Requirements for the staff	12
3.6	Safety relevant environmental conditions	12
3.7	Possible misuse	12
3.8	Residual hazards and protective measures	13
4.	Technical information	13
4.1	Technical specifications	13
5.	Installation and operation	14
5.1	Main components	14
5.2	Optional accessories	15
5.3	Mounting	15
5.3.1	Trimming the camera on the base plate in the vertical direction	16
5.3.2	Trimming the camera on the tilt axis in the vertical direction	17
5.3.3	Trimming the camera on the tilt axis in the horizontal direction	19
5.3.4	Mounting Pelé with Euro Mount	20
5.3.5	Mounting Pele camera plate	20
5.3.6	Mounting Zoom / Focus for broadcast lens	21
5.3.7	Mounting the camera	22
5.4	The Pelé control panel	22
6.	Care of the remote head	24
7.	General information and safety instructions for operation	24

1. Information about the device

1.1 Scope of delivery 2-axis device

1.	1 x Control panel with joystick, focus, zoom, direction, speed	<input type="radio"/>	
2.	1 x Base frame incl. Pan/ Tilt axis	<input type="radio"/>	
3.	1 x Camera base plate with 2x 3/8" bolts	<input type="radio"/>	
4.	Euromount 80mm outside diameter	<input type="radio"/>	
5.	1 x Cable set Zoom/Focus Fujinon		Optional: 841220-0
6.	1 x Cable set Zoom/Focus Canon	<input type="radio"/>	Optional: 841210-0
7.	1 x Cable set Zoom/Focus Canon Digital	<input type="radio"/>	Optional: 841212-0
8.	1 x Main control cable 20m	<input type="radio"/>	
9.	1x Double battery adapter V-Mount		
10.	1 x User manual	<input type="radio"/>	
11.	1x AC Adapter 24V	<input type="radio"/>	Optional: 8412-500

Packed (Date):

Unterschrift/ Signature:

1.2 Responsibilities of the manufacturer / EC declaration of conformity

EC declaration of conformity for machinery directive 2006/42/EC Annex II 1.A

The manufacturer / distributor

MovieTech AG
Martin-Kollar-Str. 9
D-81829 Munich

hereby explains, that the following product

Product name: PELÉ
Manufacturer: MovieTech
Serial number:
Series/ type name: Remote head product

Description:

PELÉ is a product for the photography and film industry developed to allow weightless camera movements.

It conforms to all relevant regulations of the above-mentioned directive and the other applied directives (following) – including any current changes thereof at the time of declaration.

The following harmonized standards were applied:

EN ISO 12100-1:2003	Safety of machinery - Basic concepts, general principles for design - Part 1: Basic terminology, methodology (ISO 12100-1:2003)
EN ISO 12100-2:2003	Safety of machinery - Basic concepts, general principles for design - Part 2: technical principles (ISO 12100-2:2003)
EN ISO 14121-1:2007	Safety of machinery - risk evaluation - Part 1: principles (ISO 14121-1:2007)

The following national or international standards (or parts/clauses thereof) and specifications were applied:

Name and address of the person authorized to comply the technical documentation:

Mr. Sigfried Käser Mr. F. Strassmann

Place: Munich

Date: 24.06.2015

1.3 Responsibilities of the operator

Repair requirements

Repair of the PELÉ is only permitted by the MovieTech AG or authorized contract partners.

Disposal

PELÉ should not be disposed of in domestic waste. It must be disposed of at a collection site (please check with your municipality) or through your dealer/manufacturer.

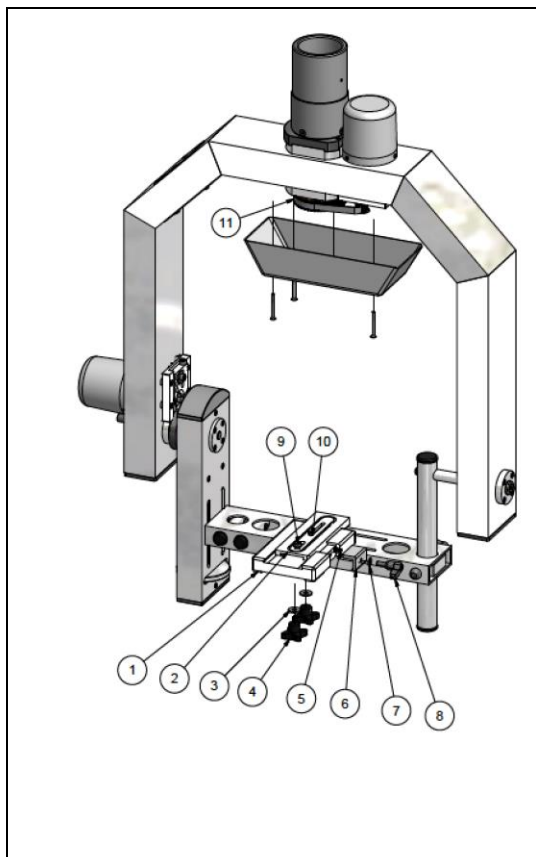
The recipient address is given on the product label. This provides for an environmental friendly disposal.

Care

It is recommended to clean PELÉ with a damp, clean cloth when dirty. Avoid any caustic or corrosive cleaning agents.

1.4 Exploded drawing with numbering

Note **Use the indicated numbers to order any spare parts!**



1.5 External interfaces

PELÉ may be mounted hanging or standing (upside down) at a sufficiently stable carrier unit suitable for the load (crane or dolly).

PELÉ is equipped with a mitchell adapter (or optional on request with an 80mm outer diameter Euro adapter) for attachment to film devices such as dollies or camera cranes.

1.6 Legal Notice

The manufacturer's specified limit values must be strictly adhered to. Any excess should be avoided under all circumstances.

In case of accidents due to negligence or abusive use, the manufacturer will not be held liable for any damage or injuries. The assembly and disassembly sequence specified in the user manual must be observed.

Use exclusively original parts for the product's maintenance.

Accessories of other manufacturer, may limit neither the use nor the safe use of PELÉ!

The people entrusted to operate PELÉ, must have read and understood the original user manual of the manufacturer. In case of questions regarding the safe use, please contact the manufacturer. Contact details may be found among other things on the CE marking on the PELÉ touch panel.

Service life of the equipment:

Service life span is limited by material wear and tear. Therefore, service life depends on frequency of use and environmental conditions, to which PELÉ is exposed.

2. User manual

Thank you for choosing PELÉ, we are thankful for your confidence.
 The PELÉ Remote Head allows gliding camera movements in horizontal and vertical directions.
 We wish you much joy and success with your new ABC products PELÉ!

Your PELÉ has the following main features:

- precise propulsion system
- access to the programming
- 360° pivot radius over all axis
- Short assembly and disassembly times

Read this user manual carefully before you use your new equipment for the first time. It contains all the information you need to know on the unit operation, so that you avoid personal injury and property damage.



Carefully observe all safety instructions in this user manual.

Keep this user manual carefully. Give this user manual to the new owner, if you sell or otherwise leave the unit.





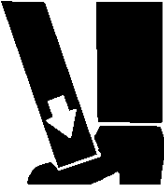


Inform more users on the necessity of reading and understanding the user manual before the first use.

2.1 To understand the user manual correctly

2.1.1 Marking on the unit

	<p>CE mark:</p> <p>This mark means that your equipment meets the safety requirements of all applicable EU directives</p>
	<p>Dustbin:</p> <p>This sign means that you must dispose of the unit only at a local collection site</p>

2.1.2 Markings in this user manual

Marking	Meaning
	<p>Draws your attention on the handling and effect of safety information.</p>
 WARNING	<p>Makes you aware of a dangerous situation that can cause you significant injury or death, if not avoided.</p>
 CAUTION	<p>Makes you aware of a dangerous situation that can cause you mild to moderate injury, if not avoided.</p>
NOTE	<p>Makes you aware of potential property damage and other important information in connection with your equipment.</p>
 Foot protection	<p>Safety shoes: Mandatory sign according to ANSI (according to Z 535.3 - 2007) Meaning: Foot protection</p>
 Fall down / drop	<p>Fall down/drop: Falling down Warning sign according to ANSI (according to Z 535.3 - 2007) Meaning: Falling down / downward movement – danger to feet</p>
 bruise / crush	 Danger of Crushing <p>Bruise/ crush: Crushing Warning sign according to ANSI (according to Z 535.3 - 2007) Meaning: Risk of crushing for hands</p>

2.2 Service address

MovieTech AG

Martin-Kollar-Str. 9

D-81829 Munich

E-mail: info@movietech.de

www.movietech.de

Tel.: +49 (0) 89 43 68 91 3

3. Safety instructions

3.1 General safety instructions - manufacturer

- Before commissioning, ensure that you have read and understood the user manual.
- Do not leave the assembled remote head unattended. Secure against unauthorized use.
- The manufacturer's specified limit values must be strictly adhered to. Any excess should be avoided under all circumstances.
- The remote head may not be assembled under the influence of alcohol, drugs or other narcotics.
- Only qualified persons may be assigned with the assembly and disassembly and operation of the remote head. If necessary, the assignment must be stated in writing.
- Beware of possible bruising during assembly and disassembly and during operation (please see chapter structure and special warnings for each operating phase). Warning labels on the product and the manual must be observed!
- Ensure and guarantee the safe fixing of a camera on the remote head before each use. Use additional straps for safe fixing.
- Electrical equipment like monitors, must always be protected against moisture and humidity.
- Never move the remote head mechanically by hand when switched on!

3.2 General safety instructions - usage

- Follow the instructions on the use of maximum 35 kg
- Do not leave the assembled PELÉ unattended. Secure against unauthorized use.
- Because of the danger of a lightning strike, adjust the operation when a storm approaches.
- PELÉ may be used at an ambient temperature of -15 - +40°C.
- Do not assemble and disassemble, if the maximal permissible wind velocity exceeds 50 km/h.
- PELÉ is suited for studio and limited outdoor use. Avoid installing in a sandy, dusty, wet and salty environment.
- Avoid dashing the remote heads against any objects and obstacles, because of possible damages to materials and the drive. Damaged parts, above all safety-related parts, must be replaced by the manufacturer.

3.3 General safety instructions - examination

- Before each use, safety must be checked during operation by visual and functional testing (according to DIN15999)
- In particular, pay attention to the following criteria
 - unusual noises during movement,
 - deformations (e.g. bending, twisting),
 - damage (e.g. cracks, corrosion),
 - missing parts (e.g. retaining pins, fasteners)
 - defective clamp functions of the adjustment mechanisms
 - defective cables
- In case of form changes or damages, contact the manufacturer!
- Please observe all other safety instructions in the following chapters!

3.4 Intended use of PELÉ

PELÉ may only be used according to its “**intended use**”. PELÉ is designed for horizontal and vertical camera movements around the pivot point of the middle section. Therefore, the camera thereby must weigh between 0.5 and 35kg. Balancing the camera on all axes is required before each use to avoid damage to the drive units!

3.5 Requirements for the staff

The operator of PELÉ should be able to control both the camera picture and the PELÉ radius of action. The operation of PELÉ must be always assessed in terms of the safety-related aspects. The responsibility for safe operation lies with the user. Distances between the camera and objects must always be assessed properly in terms of safety to avoid accidents and damages. You must assume a responsible approach to the product in the respective environment. The user must familiarize himself with and understanding of the safety-related aspects of the operation using the user manual.

General information for safety at work:



Betreten der Fläche
verboten

In operation, the PELÉ entails a risk to dash the head of an actor.

Within the PELÉ radius of action, only the access to the user, when mounting the camera, is allowed! During the operation of PELÉ, the radius of action should be kept free.

Standing or sitting underneath an extension arm with a remote head PELÉ assembled there on is not allowed for safety reasons!

Entering a prohibited area

3.6 Safety relevant environmental conditions

The operation of PELÉ is suitable for the following environmental conditions:

- In-studio operation and limited outdoor operation.
- Avoid installing in a sandy, dusty, salty and wet environment!
- Avoid operation under heavy rain, snowfall and in a strong windy or gusty environment
- The base should be even and stable for the necessary total weight loading of PELÉ.
- Always keep in mind that the pressure on a crane, dolly, or individual tripod legs under load – if PELÉ is loaded increases on the ground many times.
- Avoid installing PELÉ on snow, sand and swampy grounds.

3.7 Possible misuse

The following applications are not permitted for the PELÉ:

- Using cameras weighting over 35kg
- Using with untared and insecure cameras
- Using PELÉ for holding lighting systems
- Using PELÉ in sandy conditions
- Using under water
- Assembly and taring of the camera with the unit is turned on
- Connecting and disconnecting individual cables with the unit turned on
- Adjusting the drive modules with the unit turned on

3.8 Residual hazards and protective measures

Transport / Storage:

- When transporting the PELÉ, make sure that no point loads rest on single parts.
- The remote head should be stored in a dry area.
- The remote head may not be stored in direct sunlight.
- The remote head may not be transported or shipped without proper packaging.
- The drive modules of the remote head may not be adjusted under load. Loads are always adjusted prior to disassembly according to instructions.
- All accessories should be disassembled for transport

4. Technical information

4.1 Technical specification



Remote head PELÉ Digital


Control:	Main cable 22 Pin – 20m RS232 Interface for motor programming
Motors:	DC-Motor 24V – Brushles motor
Power supply:	24V DC ATTENTION (The motor can be damaged by a power supply higher than 24V!)
Operating panel:	2 axis Joystick; controller for Speed, PAN/TILT/Zoom/ 0-point correction/ Ramp und Direction Button for REC ON/OFF
Velocity:	Vmax. 360° Pan 2-Axle ca. 3,5 Sec.
Dead weight:	2-Axle operation 9,8kg
Connection:	Euro mount outside diameter 80mm
Frame dimensions:	xxmm
Payload:	Payload 2-axis 35kg

5. Installation and operation

5.1 Main components

	<p>RemoteHead Rahmen 2-axis</p>
	<p>Base brackets 2-axis with mounting plates, 1x 3/8" + 1x 1/4" bolts</p>
	<p>Operating panel with focus, zoom, speed, ramp, direction</p>
	<p>Control cable with ramp cable</p>

	<p>Double V-mount Adapter (batteries are not included in the scope of delivery)</p>
	<p>Case for Pelé</p>

<p>5.2 Optionale accessories</p>	
	<p>Option: Art. Nr. 8412-500 Power supply</p>
	<p>Option: Art.Nr. 8414-0 One - man operaion</p>

5.3 Mounting

Please open the transport case with caution. Use no sharp tools such as cutters, scissors etc that may cause damage to the frame parts or the cable.
 Please control the contents delivered with the delivery slip and list. For content list see page 4.
 The contents delivered include only the items illustrated!
 In case of missing parts, inform the manufacturer.



WARNING

The releasing of the Remote Head with mounted counterweights on the crane has a sudden shooting up of the crane as a consequence!

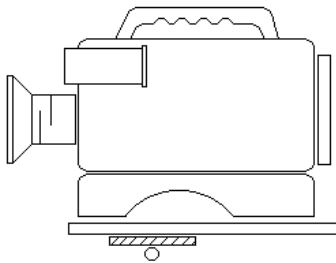
There is a risk of the camera crane tipping over!

Always observe absolutely the correct order when assembling/ disassembling the crane and the remote head!

In the remote base the wedge plate is performed with oblique grooves. This wedge plate has 1 screw with 1/8" and 1 screw 1/4" inch thread. As an intermediate plate, it is advisable for the camera mounting to use a tripod plate of the camera manufacturer that is then bolted to the wedge plate of the Remote Head.

Attach the tripod plate (quick release plate) of your camera to the Pelé-wedge plate. Make sure that the focus of the camera is fixed approximately in the center of the Pelé-wedge plate.

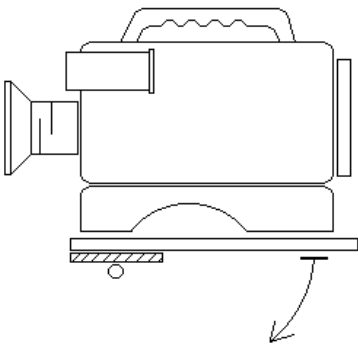
5.3.1 Trimming of the camera on the base plate in vertical direction



Example A (O.K.)

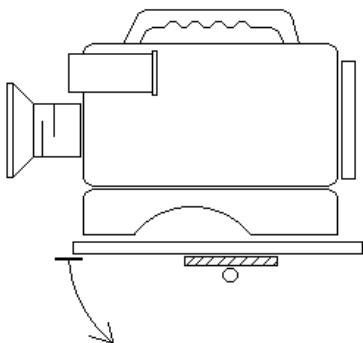
The focus of the camera is approximately over the center wedge plate. (Use a pencil as a rocker)

⇒ Quick release plate tripod



Example B (not O.K.)

The focus tilts the camera backwards (Overuse of the engine, possibly no clean running performance.)



Example C (Not O.K.)

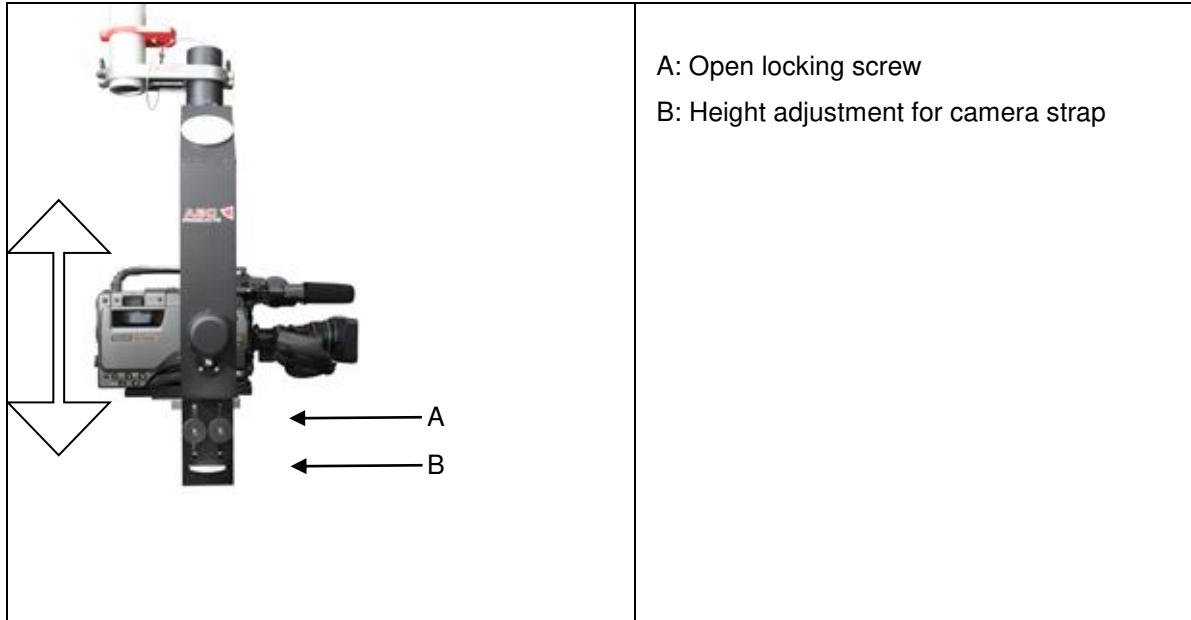
The focus tilts the camera forward (Overuse of the engine, possibly no clean running performance.)

5.3.2 Trimming the camera on the tilt axis in the vertical direction

It is necessary to adjust the height of the camera with respect to the pivot around the tilt axis.

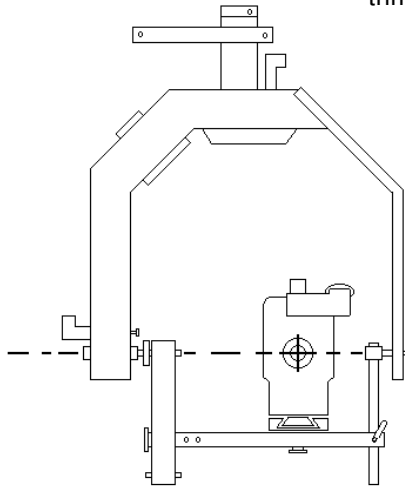
For best results, trim the camera's center of gravity at the tilt axis.

Open the height adjuster and the trim tube lock. With the trim wheel you can now move the camera rail steplessly in height.



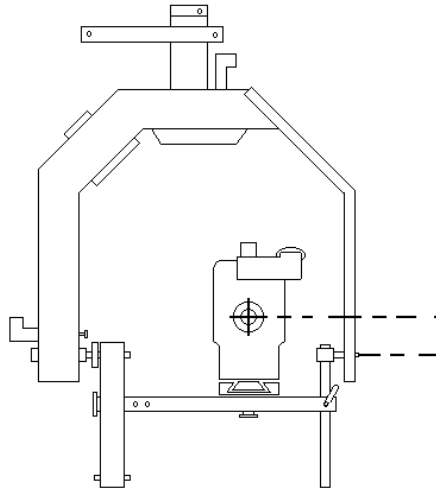
Example A (O.K.)

Camera focus in the amount of the bending axis. With optimal trimming the camera remains stationary in any tilted position.



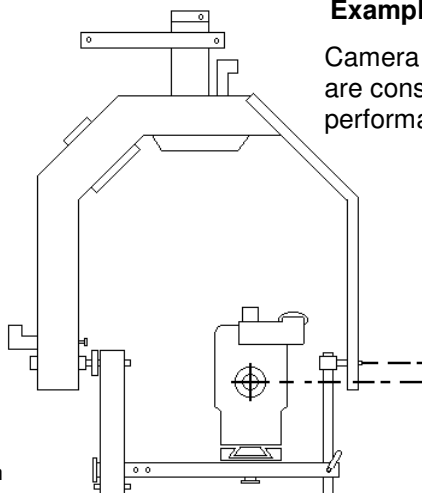
Example B (Not O.K.)

Camera focus above the tilt axis. If the trim is not correct, the camera tilts forward or backward. Engine must brake system continuously, unperfect run.



Example C (Not O.K.)

Camera focus below the neutral axis. Engine and transmission are constantly under extreme stress, no clean running performance.



5.3.3 Trimming the camera on the tilt axis in the horizontal direction

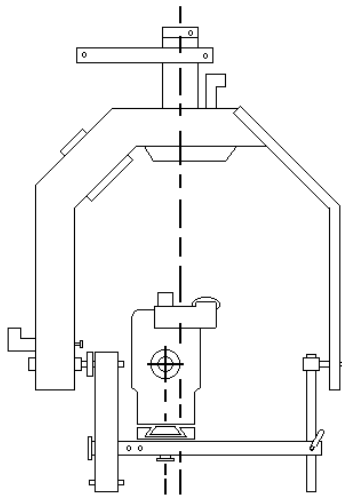
Example A (O.K.)

Put the camera exactly centered below the centerline.
So you will achieve a uniform pivoting movement.



Example B (not O.K.)

The camera sits close to the tilt motor. That means, it supports the asymmetry and causes distortions.



5.3.4 Mounting PELÉ with Euro Mount



CAUTION

- The mount of the remote head has an outer diameter of 80mm.
- Ensure that the euro mount connection of PELÉ is vertically inserted into the receptacle provided 80mm clamping and that this is closed safely!
- Ensure that the safety wire rope of Pelé is suspended from a fixed point on the crane head.
- Ensure that the crane or dolly with which the PELÉ is operated, is suitable for the given load!
- Secure a mounted camera always with additional safety straps

5.3.5 Mounting PELÉ camera plate

Note: Supplied with 1x 3/8 " + 1x 1/4" screws for mounting a camera base plate are included.



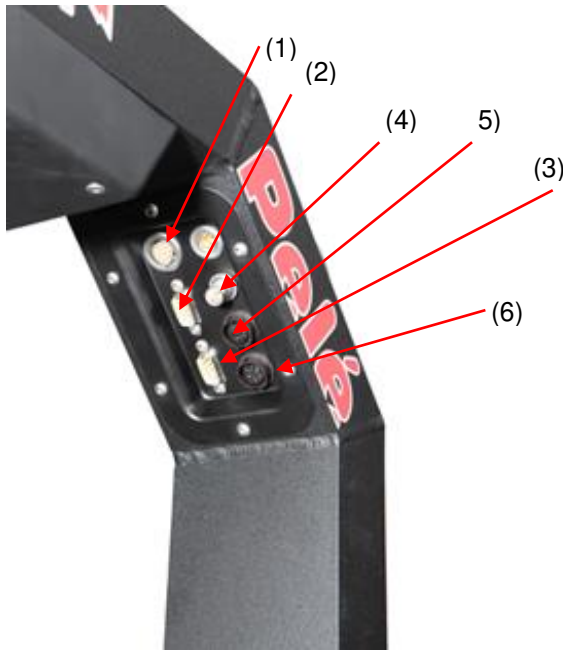
5.3.6 Mounting Zoom/Focus for Broadcast lens

Caution, for use of the control function zoom and focus and a broadcast lens with integrated motors is a set of cables from Canon Digital, Canon, Fujinon, Angénieux required! These following cables are available:

Art. No. 8470-2700 Canon standard cable set consisting of push cable 8Pin / Focus cable 6Pin

Art. No. 8470-2900 Canon digital cable set consisting of 20Pin / Focus cable 20Pin

Art. No. 8470-2800 Fujinon Standard Cord Set consisting of 12Pin / Focus cable 12Pin

<p>1) main control cable</p>	
<p>2) 0-modem cable – computer Pan axis</p>	
<p>3) 0-modem cable - computer Tilt axis</p>	
<p>4) BNC connection Video HD</p>	
<p>5) Connection cable Zoom</p>	
<p>6) Connection focus cable</p>	
<p></p>	

5.3.7 Mounting the camera

To mount the camera 1 3/8" +1/4" screws are included!



Caution!

Mounted accessories such as cameras must be secured in addition by professional security systems such as suitable steel cables or tensioning belts to avoid falling off!

The remote head must be turned off for the electric leveling process! The axes of the remote head must never be moved under electric voltage, the transmission or engine can be damaged!

Ensure that the bow of the tilt axis does not touch the base frame when turning.

Make test runs at a slow speed

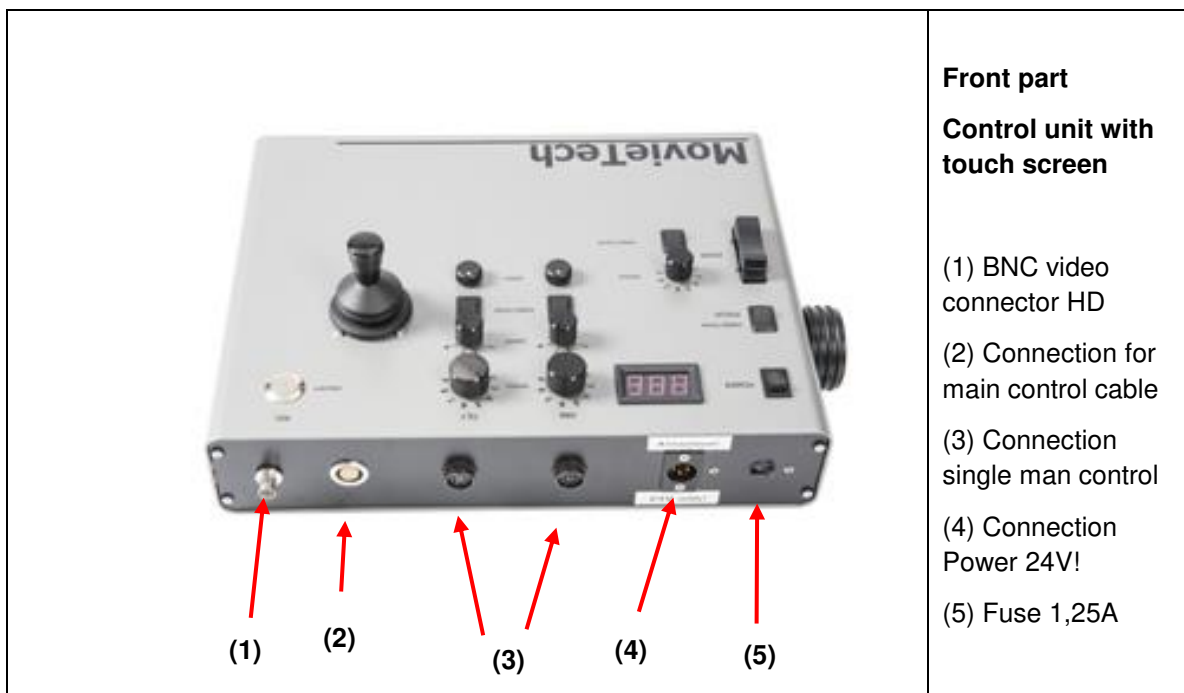


Caution!

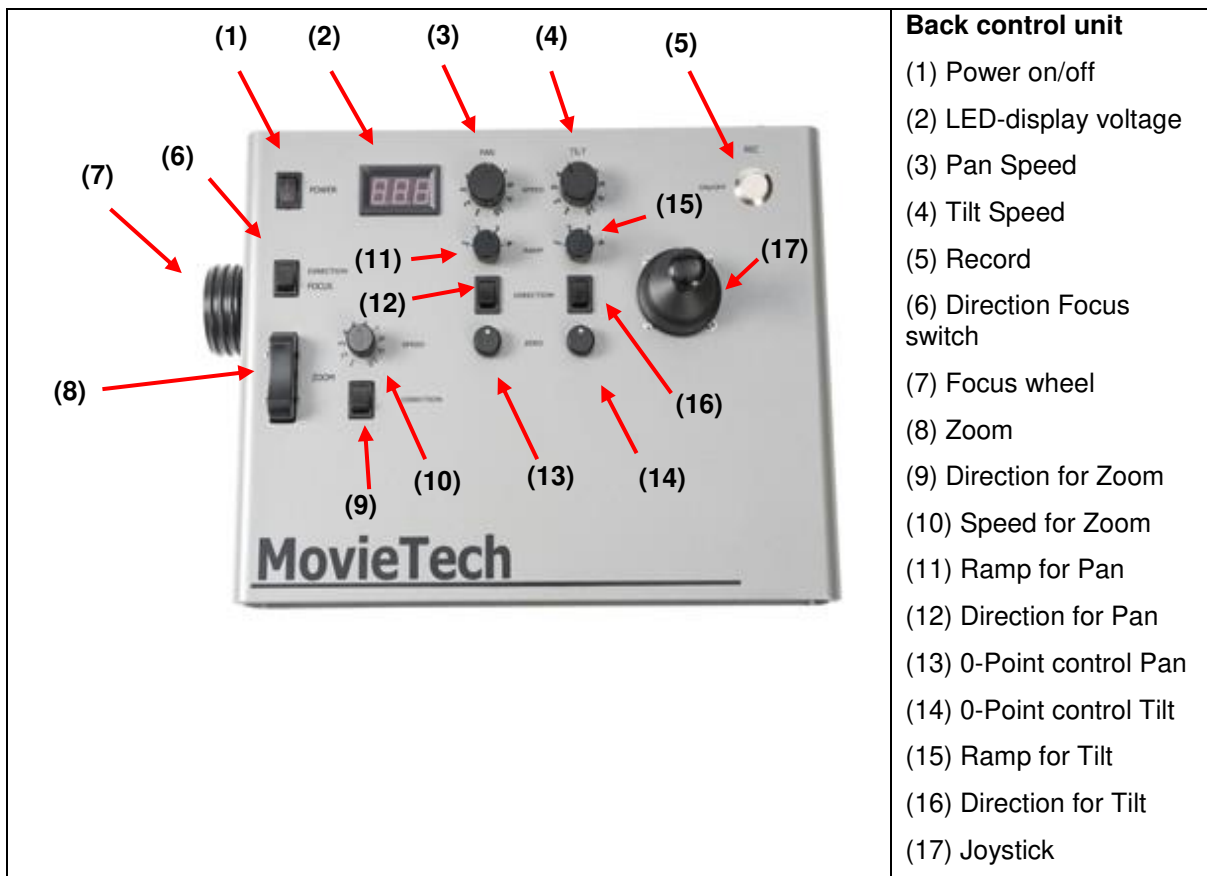
Avoid a short distance of the camera to all frame parts!

Slow Test moving of the axes to determine distances. Move the axis by hand only when the Remote Head is turned off!

5.4 The Pelé control panel



The power supply must be 24V, optional a voltage regulator for the constant supply of 24V is available!



NOTE

Backup: If the fuse is activated and the device is switched off, the fuse can be switched on again by the toggle switch.

NOTE

Note for the protection of the control unit the following points have to be implemented to avoid damages:

- Direct sunlight
- humidity / Splash
- Extreme cold
- Dust / sand

If protective coatings are used against dust or moisture, it must be ensured that equipment heat sufficiently can escape to avoid an overheating of the electronics!

6. Care of the remote head

To clean the remote head frame and drive, we recommend a moderately strong air shower to remove dirt. Clean with a microfibre cloth moistened with dishwashing liquid.

NOTE **When packing the remote head into the transport box please ensure that the remote head is in a dry condition.**

7. General information and safety instructions for operation

User:

The user manual must be read and understood by any user before commissioning the equipment

Before operating the equipment, all electrical and mechanical parts such as cable, plugs, modules, fixed and removable parts, screws, mounting plates, clamps and the like must be checked for proper condition.

The environmental condition must be suitable for the unit operation.

Avoid operation with storm, water, humidity, excessive sunlight, extreme cold, etc.

Mains used for power supply must be checked for suitability by professionals, if necessary through measurements.

Mounted accessories such as cameras must be additionally secured by professional security systems like suitable steel ropes or straps from falling!

The manufacturer disclaims any liability resulting from improper and non-complying with the equipment regulation handling and from inadequate environmental conditions.

The same applies for any liability resulting from the use of non-system accessories that cause direct or indirect damages during the use of the remote heads.

The warranty is void when using parts not supplied by the manufacturer and have an impact on the equipment.

For repairs and services, you must contact the manufacturer. Any damage resulting from unauthorized interference to the equipment is excluded from liability



MovieTech

www.movietech.de

Die MovieTech AG mit Hauptsitz in München und Tochtergesellschaften in Mailand und Prag produziert und vermarktet als einer der führenden Hersteller Produkte und Lösungen für die Film- und Fernsehindustrie.

Die Produktpalette von MovieTech konzentriert sich auf die Bereiche: Kamerakräne, Dollys, Lichtsysteme, Remote Heads und entsprechendes Zubehör.

Ziel der Movie Tech AG ist die Herstellung von professionellem Filmequipment, das die Arbeit der Anwender am Set oder im Studio wesentlich erleichtert und die Umsetzung der kreativen Ideen ermöglicht.

The MovieTech AG is based in Munich with subsidiaries in Milan and Prague. As one of the leading manufacturers in its field, it produces and markets products and solutions for the film industry.

The MovieTech product range concentrates on the areas of: Camera cranes, dollies, remote heads and corresponding accessories, as well as studio and stage techniques.

The MovieTech mission is the manufacture of professional film equipment that not simplifies the work of those using it on the set or in the studio, but also facilitates the implementation of creative ideas.



MovieTech

www.movietech.de



Dollies – Cranes – Remote Heads

ABC PRODUCTS

www.abc-products.de

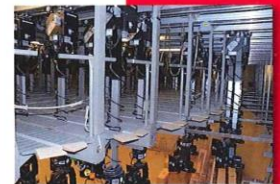


Steadycam systems – Light dollies – Light cranes

MTS

Media Technical System

www.mts-germany.com



Pantographs – Hoists – Telescopes – Trolleys

LASTRO

ENGINEERING

www.lastro.de



Rail systems – Studio and stage engineering

MovieTech AG (Germany)

Martin-Kollar-Str. 9 • 81829 München • Tel: +49 (0)89-43 68 91 3 • Fax: +49 (0)89-43 68 91 55 • E-Mail: info@movietech.de

MovieTech SAGL Via Corti 5 6828 Balerna +41 (0) 91 – 683 0606 k.shore@movietech.de