



# **M** MT LEVELLERS

Strong leveller-systems for precise grip adjustment

**MADE  
IN  
GERMANY**

**FINE THREADS FOR  
PRECISE LEVELLING**

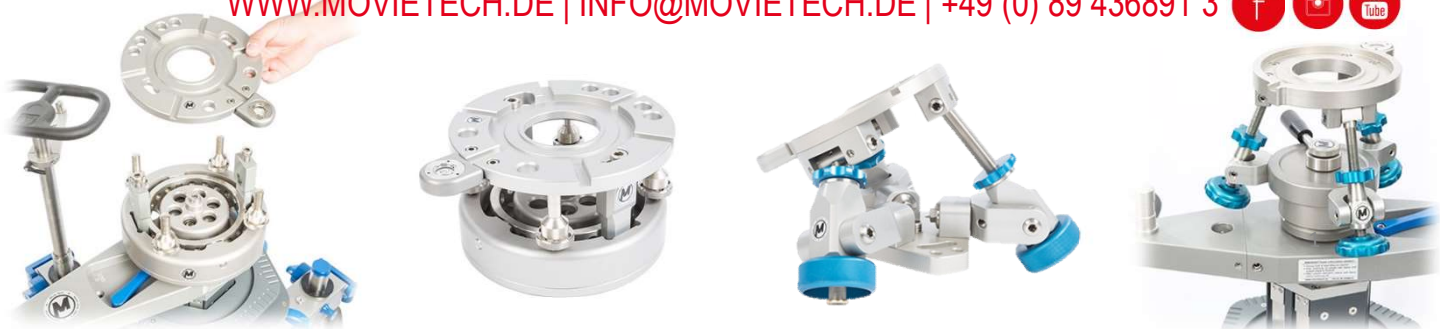
**VERY HIGH ANGLE  
INCLINATION**

**EXTREMELY HIGH  
LOAD CAPACITY**

**HANDMADE IN GERMANY**

Attention! Please notice before operation:  
• Always load at least 50kg on column  
• After switching on, please wait 4sec until  
system check is finished  
• After column operation please wait 5sec  
before switching off  
www.movietech.de +49 (0) 89 4368913

[WWW.MOVIETECH.DE](http://WWW.MOVIETECH.DE) | [INFO@MOVIETECH.DE](mailto:INFO@MOVIETECH.DE) | +49 (0) 89 436891 3



# MT LEVELLERS

## DESCRIPTION

All of our MovieTech products are designed to precisely meet the demanding requirements of each shooting as well as to withstand the rough conditions of the daily work on set.

The broad variety of leveller-systems offer the ideal solution to fast and easy levelling of your camera.

The MT 3-Way-Levellers are available in two different versions – a standard and a XL version. Each version can be equipped with different mounting-plates (Mitchell- or Euro-mount)

The MT 4-Way-Leveller set offers a boundless variety of mounting-plates. With this flexible system, there are no surprises on the set!



# MT LEVELLERS

THREE MODELS TO COVER APPLICATION



**3 Way Leveller**

**3 Way Leveller XL**



**4 Way Leveller System**

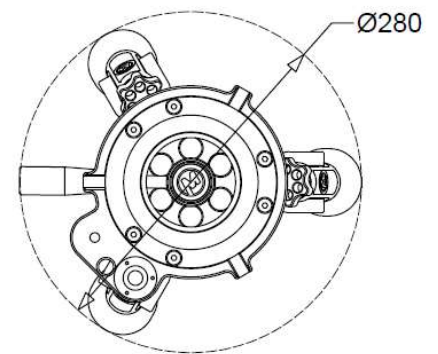
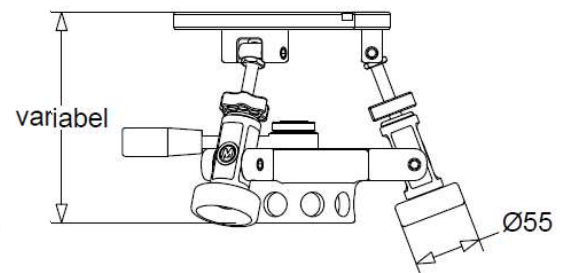


# 3 Way Leveller (standard)

THE THREE WAY LEVELLER FOR THE DAILY USE ON SET



**PRECISE LEVELLING!**



- 22,5° angle of inclination (outstandingly high)
- Load capacity of up to 200 kg
- 2900 Gramm (6,39 lbs) gross weight
- Re-adjustment of joints (almost no wear off parts)
- Fine thread (leveling by hand with heavy load possible)
- Fitted for top and upside down assembly
- Allows overhead work

The new 3-Way-Leveller operates with a fine thread, which allows an exact positioning of the angle of inclination. The 22,5° angle of inclination with is outstandingly big, which shows as a big advantage in rough terrain. The 2900g / 6,94 lbs. light leveler is mainly made out of weight-saving aluminum. The joints are backlash-free and can be re-adjusted. Different versions with Euro- or Mitchell-mount are available. For example: The leveler mounted on a Magnum Dolly can also be easily used for overhead work based on the tight fit processing.

# 3 Way Leveller (standard)

VERSIONS AND ACCESSORIES

SECOND BUBBLE LEVEL  
FOR OVERHEAD WORK



**3-Way Leveller  
Euro to Mitchell**

Item No: 2202-0

Accessories:



Item No. 2026-0

Adapter from Mitchell on Euromount  
(with short bolt)

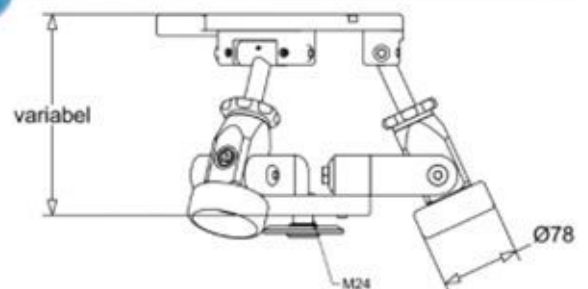
# 3 Way Leveller XL

THE THREE WAY LEVELLER WHEN HEAVY EQUIPMENT IS USED

**VERY SOLID DESIGN!**

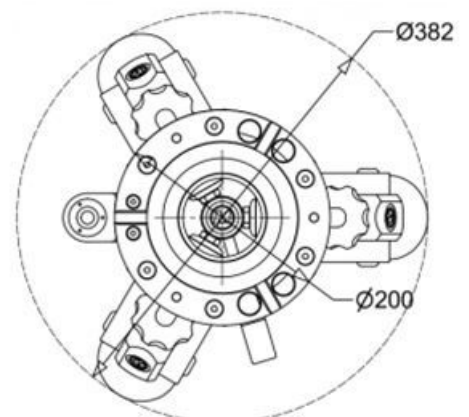


- 25 ° angle of inclination
- Load capacity of up to 750 kg
- 9200 g (Lightweight aluminum for the most part)
- Re-adjustment of the joints (hardly any wear off parts)
- Fine threads (leveling manually for high load)
- Overhead work possible (new suspension)



The new three-way leveling unit “XL” is designed to withstand even the toughest conditions on set and to carry loads as high as 750 kg.

Fine threads enable very precise positioning of the tilt angle (up to 25°). It weighs approx. 9200g and is mostly made of aluminum, the bearings are free of play and can be readjusted as required. Different versions with Euro- or Mitchell-mount are available. Also usable for overhead work due to the optimal form fit.



# 3 Way Leveller XL

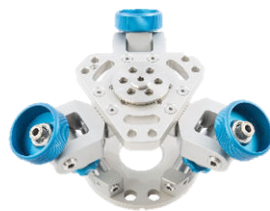
VERSIONS AND ACCESSORIES

## Version 1 - Mitchell mount:



**3-Way Leveller XL  
Mitchell to Mitchell**

Item No: 2203-1



## Version 2 - Euro mount:



**3-Way Leveller XL  
Euro to Mitchell**

Item No: 2203-2



## Accessories:



Item No. 2026-0

Adapter from Mitchell on  
Euromount (with short bolt)



Various adapter plates for  
different crane types are available

# 4 Way Leveller System

BE READY FOR ANY APPLICATION

**PERFECT LEVELLING IN  
EVERY SITUATION!**



- 7° inclination angle
- 5900g only
- Fine threads
- Overhead work possible (new suspension)
- Various adapter plates for any application

## **No more surprises on the set!**

The flexible system with optional connection plates can be exchanged via bayonet system and covers every field of application!

The base is a gimbal which can be equipped with various top and bottom plates (Euro and Mitchell-mount)!

## **Changing the plates only takes a few seconds.**

This is thanks to the practical bayonet closures. The new 4-way levellers are play-free and very robust – ideal for the tough requirements on the set.

Each set-up can be supplemented with additional adapter plates in a short time.

## **Fine threads allow very precise positioning of the tilt angle.**

The 5900 gram lightweight 4-way levellers are **mainly made of aluminum, loaded parts are made of high-performance steel.**



# 4 Way Leveller System

BE READY FOR ANY APPLICATION

**Top plates:**

Mitchell top plate  
2250-3500

Euro-mount top plate  
2250-2200



**Center piece:**

Universal joint with  
bayonet lock mechanism  
2250-1000



Magnetic spacer-  
pieces for Euro to  
Mitchell 2250-1300

**Base plates:**



Euro base plate  
2250-2100



Mitchell base plate M24  
2250-3300



Mitchell base plate 1" -14  
UNS-2B 2250-3400



Mitchell base plate w.  
cable slot 2250-3600

# 4 Way Leveller SET

BE READY FOR ANY APPLICATION

**COMPLETE SET !**



## 4-Way Leveller complete SET

Item No: 2250-100SET



- 2250-1000 universal joint
- 2250-1300 Retrofit kit for Mitchell and euro mount
- 2250-2100 Lower section euro mount
- 2250-2200 Euro mount top plate
- 2250-3300 Mitchell base plate M24 (or 1"-14 UNS 2B)
- 2250-3600 Mitchell base plate with cable slot
- 2250-3500 Mitchell top plate
- W1000 hex wrench 8×150
- M3398 Hard-case
- 2250-100 SET cylinder head bolts
- 2050-1000 MT tool for Mitchell scREW
- tools

Exemplary set-ups:



# 4 Way Leveller

## PRE-CONFIGURED SETS



**Item No. 2250-01 Set**  
 Top Plate: Euro mount  
 Base Plate: Euro mount



**Item No. 2250-02 Set**  
 Top Plate: Euro mount  
 Base Plate: Mitchell M24



**Item No. 2250-03 Set**  
 Top Plate: Euro mount  
 Base Plate: Mitchell 1"-14



**Item No. 2250-04 Set**  
 Top Plate: Euro mount  
 Base Plate: Mitchell with  
 cable slot



**Item No. 2250-11 Set**  
 Top Plate: Mitchell mount  
 Base Plate: Euro mount  
 Incl. additional spacers



**Item No. 2250-12 Set**  
 Top Plate: Mitchell mount  
 Base Plate: Mitchell M24



**Item No. 2250-13 Set**  
 Top Plate: Mitchell mount  
 Base Plate: Mitchell 1"-14



**Item No. 2250-14 Set**  
 Top Plate: Mitchell mount  
 Base Plate: Mitchell with cable  
 slot

# 4 Way Leveller

## OFF-SET LEVELLERS AND MORE



**Item No. 2250-21 Set**  
Off-set leveller short for Mitchell  
Top Plate: Euro mount



**Item No. 2250-22 Set**  
Off-set leveller long for Euro  
Top Plate: Euro mount



**Item No. 2250-23 Set**  
Off-set leveller short for Euro  
Top Plate: Euro mount



**Item No. 2250-24 Set**  
Off-set leveller short for Mitchell  
Top Plate: Mitchell mount



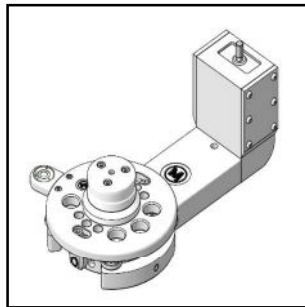
**Item No. 2250-25 Set**  
Off-set leveller long for Euro  
Top Plate: Mitchell mount



**Item No. 2250-26 Set**  
Off-set leveller short for Euro  
Top Plate: Mitchell mount



**Item No. 2080-1200**  
Magnum Dolly Low Rig Leveller  
Top Plate: Mitchell mount



**Item No. 2080-1250**  
Magnum Dolly Low Rig Leveller  
Top Plate: Euro mount

# 4 Way Leveller

## TOP- AND BASE PLATES



**Item No. 2250-1000**  
Universal joint  
**Center piece**



**Item No. 2250-3500**  
Mitchell top plate  
**Top-plate**



**Item No. 2250-2200**  
Euro-mount top plate  
**Top-plate**



**Item No. 2250-2100**  
Euro base plate  
**Base-plate**



**Item No. 2250-3300**  
Mitchell base plate M24  
**Base-plate**



**Item No. 2250-3400**  
Mitchell base plate 1"-14 UNS-2B  
**Base-plate**



**Item No. 2250-3600**  
Mitchell base plate with cable slot  
**Base-plate**



**Item No. 2050-1000**  
MT tool for Mitchell screw



**Item No. 2250-1300 SET**  
Magnetic spacer- pieces for Euro  
to Mitchell

# NOTES

---

# NOTES

---



# MOVIE TECH

THE MOVIE TECH FAMILY – MOVIE TECH, ABC PRODUCTS AND MTS



**Grip-Equipment**

... you can rely on !



[WWW.MOVIETECH.DE](http://WWW.MOVIETECH.DE) | [INFO@MOVIETECH.DE](mailto:INFO@MOVIETECH.DE) | +49 (0) 89 436891 3



**Broadcast-Equipment**

... wherever you go !



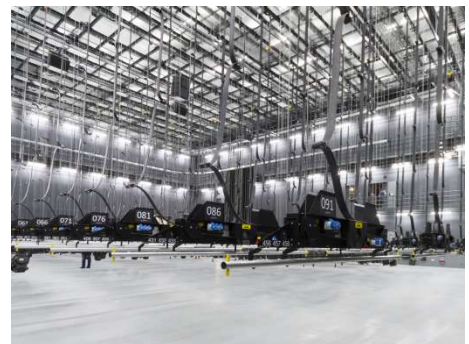
[WWW.ABC-PRODUCTS.DE](http://WWW.ABC-PRODUCTS.DE) | [INFO@MOVIETECH.DE](mailto:INFO@MOVIETECH.DE) | +49 (0) 89 436891 3



by  **MovieTech**

**Studio-Equipment**

... premium lighting suspension !



[WWW.MTS-GERMANY.COM](http://WWW.MTS-GERMANY.COM) | [INFO@MTS-GERMANY.COM](mailto:INFO@MTS-GERMANY.COM) | +49 (0) 89 436891 3